

MPBS Beef Knocking Box



All Models
Are Stainless Steel
Construction!

BEEF KNOCKING BOX

Stainless Steel Construction ■ O/A Dims. 3' -6" x 9' -8" x 9' -4" H ■ Weight: 3600 lb
Pushing Door Hydraulic 55" Opening ■ Hydraulic Guillotine Door for the Head
Hydraulic Front Door ■ Dumping Floor ■ Dumping Opening 47"
Hydraulic Pump 6 Gallon/Minute ■ 5 HP Motor ■ 3 Hydraulic Control
Model Left ← ■ Model Right →
Options: Kosher Model (1 Extra Control)

We provide
technical support and
service for all machines
that we sell

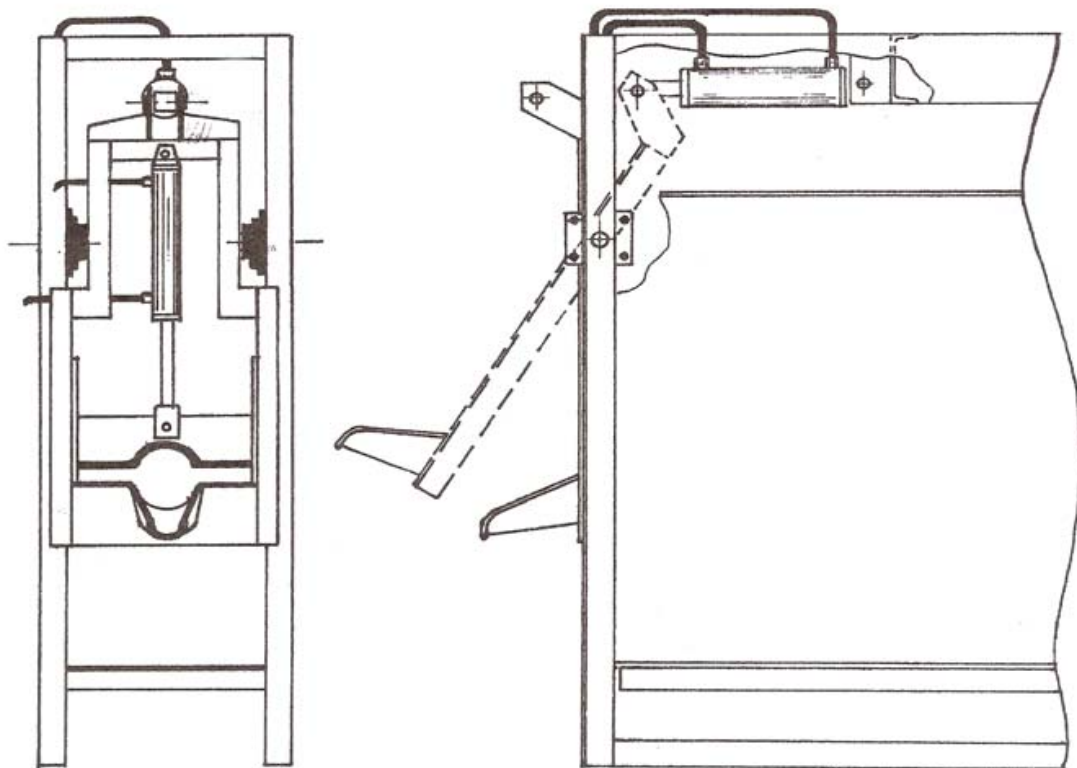
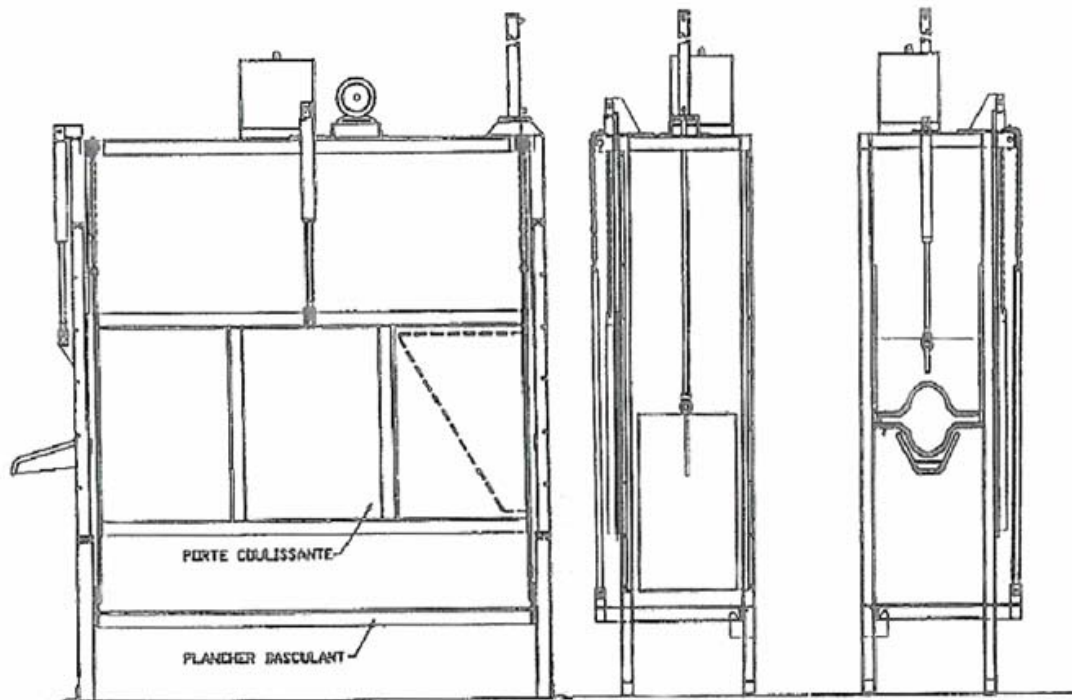
MPBS INDUSTRIES
Equipment for Industrial Food Processing & Packaging

2820 East Washington Blvd. Los Angeles CA 90023
323-268-8514 ♦ 323-268-6305 (fax) ♦ www.mpbs.com
Hours: 8:00 - 4:30 PM
Se Habla Espanol



Since 1938

MPBS Beef Knocking Box



MPBS Beef Knocking Box

Distributed By: