

# **BIRO**

## ***Our Equipment Works Harder So You Don't Have To***

The Biro Model 22SS Meat Saw is a smaller saw that's ideal for small meat shops, grocery service meat counters, and fish shops. Its 1½ hp motor has the power and size to meet your custom meat and fish cutting needs. The unitized welded stainless steel base and cast aluminum head resist corrosion and ensure long equipment life. The upper wheel and lower wheel drive assemblies utilize tapered roller bearings for smooth operation and low maintenance. The separated, enclosed motor compartment helps protect the motor against moisture and corrosion. The optional stainless steel head assembly and optional watertight magnetic switch assembly turn the 22SS into a perfect production saw for fish cutting operations. The 22SS incorporates the superior design and engineering you've come to expect from Biro, which means you'll get years of use, low maintenance, and lower overall cost of ownership. The Biro Model 22SS works harder so you don't have to.



# **22SS**

# **MPBS INDUSTRIES**

Equipment for Industrial Food Processing & Packaging

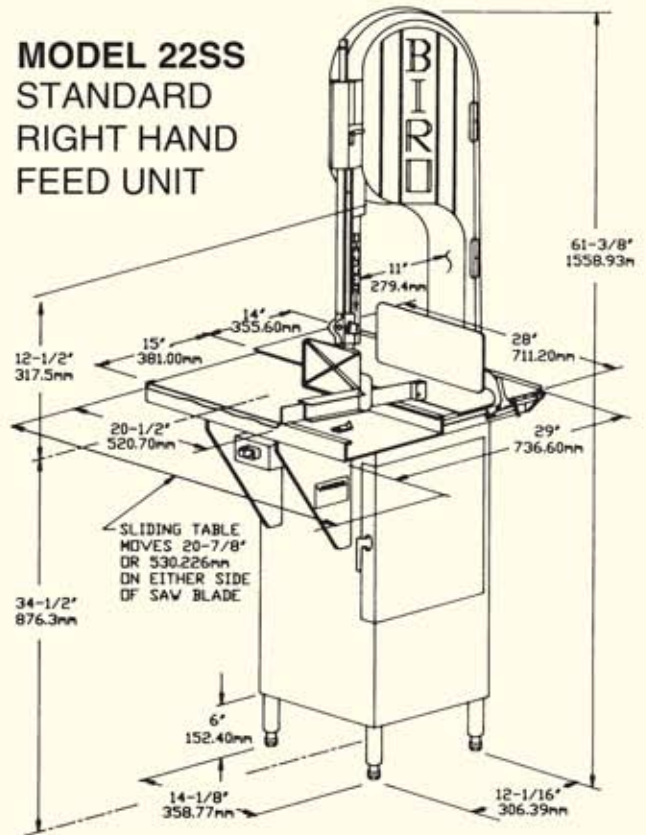


*Stands alone for quality  
and value since 1921*

## SPECIFICATIONS

| <b>MODEL</b>                       | 22SS POWER CUTTER (12").  |      |             |            |       |      |        |    |        |     |     |    |             |            |    |   |     |     |     |    |             |         |    |   |     |     |     |    |             |           |    |   |    |     |     |    |             |      |    |   |    |     |     |    |             |         |    |   |    |     |     |    |         |          |    |   |     |     |     |    |         |          |    |   |    |   |     |    |         |         |    |   |    |   |     |    |         |         |    |   |    |
|------------------------------------|---|------|-------------|------------|-------|------|--------|----|--------|-----|-----|----|-------------|------------|----|---|-----|-----|-----|----|-------------|---------|----|---|-----|-----|-----|----|-------------|-----------|----|---|----|-----|-----|----|-------------|------|----|---|----|-----|-----|----|-------------|---------|----|---|----|-----|-----|----|---------|----------|----|---|-----|-----|-----|----|---------|----------|----|---|----|---|-----|----|---------|---------|----|---|----|---|-----|----|---------|---------|----|---|----|
| <b>CONSTRUCTION</b>                | STAINLESS STEEL BASE, ALUMINUM HEAD STANDARD,<br>STAINLESS STEEL HEAD STRUCTURE EC.   |      |             |            |       |      |        |    |        |     |     |    |             |            |    |   |     |     |     |    |             |         |    |   |     |     |     |    |             |           |    |   |    |     |     |    |             |      |    |   |    |     |     |    |             |         |    |   |    |     |     |    |         |          |    |   |     |     |     |    |         |          |    |   |    |   |     |    |         |         |    |   |    |   |     |    |         |         |    |   |    |
| <b>MOTORS</b>                      | <table border="1"> <thead> <tr> <th>HP</th> <th>KW</th> <th>TYPE</th> <th>VOLTS</th> <th>AMPS</th> <th>CYCLE</th> <th>PH</th> <th>STATUS</th> </tr> </thead> <tbody> <tr> <td>1/2</td> <td>1.1</td> <td>HH</td> <td>115/208-230</td> <td>21/11/10.5</td> <td>60</td> <td>1</td> <td>STD</td> </tr> <tr> <td>1/2</td> <td>1.1</td> <td>HH</td> <td>208-220/440</td> <td>5.6/2.8</td> <td>60</td> <td>3</td> <td>STD</td> </tr> <tr> <td>1/2</td> <td>1.1</td> <td>HH</td> <td>115/208-230</td> <td>20.2/10.1</td> <td>50</td> <td>1</td> <td>EC</td> </tr> <tr> <td>1/2</td> <td>1.1</td> <td>TE</td> <td>115/208-230</td> <td>16/8</td> <td>60</td> <td>1</td> <td>EC</td> </tr> <tr> <td>1/2</td> <td>1.1</td> <td>TE</td> <td>208-220/440</td> <td>5.6/2.8</td> <td>60</td> <td>3</td> <td>EC</td> </tr> <tr> <td>1/2</td> <td>1.1</td> <td>HH</td> <td>380/415</td> <td>3.6/3.24</td> <td>50</td> <td>3</td> <td>STD</td> </tr> <tr> <td>1/2</td> <td>1.1</td> <td>TE</td> <td>380/415</td> <td>3.6/3.24</td> <td>50</td> <td>3</td> <td>EC</td> </tr> <tr> <td>2</td> <td>1.5</td> <td>OP</td> <td>220/440</td> <td>5.6/2.8</td> <td>60</td> <td>3</td> <td>EC</td> </tr> <tr> <td>2</td> <td>1.5</td> <td>OP</td> <td>380/415</td> <td>3.6/3.2</td> <td>50</td> <td>3</td> <td>EC</td> </tr> </tbody> </table> | HP   | KW          | TYPE       | VOLTS | AMPS | CYCLE  | PH | STATUS | 1/2 | 1.1 | HH | 115/208-230 | 21/11/10.5 | 60 | 1 | STD | 1/2 | 1.1 | HH | 208-220/440 | 5.6/2.8 | 60 | 3 | STD | 1/2 | 1.1 | HH | 115/208-230 | 20.2/10.1 | 50 | 1 | EC | 1/2 | 1.1 | TE | 115/208-230 | 16/8 | 60 | 1 | EC | 1/2 | 1.1 | TE | 208-220/440 | 5.6/2.8 | 60 | 3 | EC | 1/2 | 1.1 | HH | 380/415 | 3.6/3.24 | 50 | 3 | STD | 1/2 | 1.1 | TE | 380/415 | 3.6/3.24 | 50 | 3 | EC | 2 | 1.5 | OP | 220/440 | 5.6/2.8 | 60 | 3 | EC | 2 | 1.5 | OP | 380/415 | 3.6/3.2 | 50 | 3 | EC |
| HP                                 | KW  | TYPE | VOLTS       | AMPS       | CYCLE | PH   | STATUS |    |        |     |     |    |             |            |    |   |     |     |     |    |             |         |    |   |     |     |     |    |             |           |    |   |    |     |     |    |             |      |    |   |    |     |     |    |             |         |    |   |    |     |     |    |         |          |    |   |     |     |     |    |         |          |    |   |    |   |     |    |         |         |    |   |    |   |     |    |         |         |    |   |    |
| 1/2                                | 1.1   | HH   | 115/208-230 | 21/11/10.5 | 60    | 1    | STD    |    |        |     |     |    |             |            |    |   |     |     |     |    |             |         |    |   |     |     |     |    |             |           |    |   |    |     |     |    |             |      |    |   |    |     |     |    |             |         |    |   |    |     |     |    |         |          |    |   |     |     |     |    |         |          |    |   |    |   |     |    |         |         |    |   |    |   |     |    |         |         |    |   |    |
| 1/2                                | 1.1   | HH   | 208-220/440 | 5.6/2.8    | 60    | 3    | STD    |    |        |     |     |    |             |            |    |   |     |     |     |    |             |         |    |   |     |     |     |    |             |           |    |   |    |     |     |    |             |      |    |   |    |     |     |    |             |         |    |   |    |     |     |    |         |          |    |   |     |     |     |    |         |          |    |   |    |   |     |    |         |         |    |   |    |   |     |    |         |         |    |   |    |
| 1/2                                | 1.1   | HH   | 115/208-230 | 20.2/10.1  | 50    | 1    | EC     |    |        |     |     |    |             |            |    |   |     |     |     |    |             |         |    |   |     |     |     |    |             |           |    |   |    |     |     |    |             |      |    |   |    |     |     |    |             |         |    |   |    |     |     |    |         |          |    |   |     |     |     |    |         |          |    |   |    |   |     |    |         |         |    |   |    |   |     |    |         |         |    |   |    |
| 1/2                                | 1.1   | TE   | 115/208-230 | 16/8       | 60    | 1    | EC     |    |        |     |     |    |             |            |    |   |     |     |     |    |             |         |    |   |     |     |     |    |             |           |    |   |    |     |     |    |             |      |    |   |    |     |     |    |             |         |    |   |    |     |     |    |         |          |    |   |     |     |     |    |         |          |    |   |    |   |     |    |         |         |    |   |    |   |     |    |         |         |    |   |    |
| 1/2                                | 1.1   | TE   | 208-220/440 | 5.6/2.8    | 60    | 3    | EC     |    |        |     |     |    |             |            |    |   |     |     |     |    |             |         |    |   |     |     |     |    |             |           |    |   |    |     |     |    |             |      |    |   |    |     |     |    |             |         |    |   |    |     |     |    |         |          |    |   |     |     |     |    |         |          |    |   |    |   |     |    |         |         |    |   |    |   |     |    |         |         |    |   |    |
| 1/2                                | 1.1   | HH   | 380/415     | 3.6/3.24   | 50    | 3    | STD    |    |        |     |     |    |             |            |    |   |     |     |     |    |             |         |    |   |     |     |     |    |             |           |    |   |    |     |     |    |             |      |    |   |    |     |     |    |             |         |    |   |    |     |     |    |         |          |    |   |     |     |     |    |         |          |    |   |    |   |     |    |         |         |    |   |    |   |     |    |         |         |    |   |    |
| 1/2                                | 1.1   | TE   | 380/415     | 3.6/3.24   | 50    | 3    | EC     |    |        |     |     |    |             |            |    |   |     |     |     |    |             |         |    |   |     |     |     |    |             |           |    |   |    |     |     |    |             |      |    |   |    |     |     |    |             |         |    |   |    |     |     |    |         |          |    |   |     |     |     |    |         |          |    |   |    |   |     |    |         |         |    |   |    |   |     |    |         |         |    |   |    |
| 2                                  | 1.5   | OP   | 220/440     | 5.6/2.8    | 60    | 3    | EC     |    |        |     |     |    |             |            |    |   |     |     |     |    |             |         |    |   |     |     |     |    |             |           |    |   |    |     |     |    |             |      |    |   |    |     |     |    |             |         |    |   |    |     |     |    |         |          |    |   |     |     |     |    |         |          |    |   |    |   |     |    |         |         |    |   |    |   |     |    |         |         |    |   |    |
| 2                                  | 1.5   | OP   | 380/415     | 3.6/3.2    | 50    | 3    | EC     |    |        |     |     |    |             |            |    |   |     |     |     |    |             |         |    |   |     |     |     |    |             |           |    |   |    |     |     |    |             |      |    |   |    |     |     |    |             |         |    |   |    |     |     |    |         |          |    |   |     |     |     |    |         |          |    |   |    |   |     |    |         |         |    |   |    |   |     |    |         |         |    |   |    |
|                                    | TE= TOTALLY ENCLOSED      STD=STANDARD<br>HH= HIGH HUMIDITY      EC=EXTRA COST  |      |             |            |       |      |        |    |        |     |     |    |             |            |    |   |     |     |     |    |             |         |    |   |     |     |     |    |             |           |    |   |    |     |     |    |             |      |    |   |    |     |     |    |             |         |    |   |    |     |     |    |         |          |    |   |     |     |     |    |         |          |    |   |    |   |     |    |         |         |    |   |    |   |     |    |         |         |    |   |    |
| <b>STANDARD FEATURES</b>           | TWO SAW BLADES, OPERATION AND SAFETY MANUAL, SAFETY WALL POSTER, END CUT SAFETY PUSHER PLATE.   |      |             |            |       |      |        |    |        |     |     |    |             |            |    |   |     |     |     |    |             |         |    |   |     |     |     |    |             |           |    |   |    |     |     |    |             |      |    |   |    |     |     |    |             |         |    |   |    |     |     |    |         |          |    |   |     |     |     |    |         |          |    |   |    |   |     |    |         |         |    |   |    |   |     |    |         |         |    |   |    |
| <b>SWITCH</b>                      | TOGGLE, STANDARD, 2 HP RATED, PLACED CONVENIENTLY IN FRONT.   |      |             |            |       |      |        |    |        |     |     |    |             |            |    |   |     |     |     |    |             |         |    |   |     |     |     |    |             |           |    |   |    |     |     |    |             |      |    |   |    |     |     |    |             |         |    |   |    |     |     |    |         |          |    |   |     |     |     |    |         |          |    |   |    |   |     |    |         |         |    |   |    |   |     |    |         |         |    |   |    |
| <b>HEAD AND DOOR</b>               | ALUMINUM, ENTIRE ASSEMBLY REMOVABLE.  |      |             |            |       |      |        |    |        |     |     |    |             |            |    |   |     |     |     |    |             |         |    |   |     |     |     |    |             |           |    |   |    |     |     |    |             |      |    |   |    |     |     |    |             |         |    |   |    |     |     |    |         |          |    |   |     |     |     |    |         |          |    |   |    |   |     |    |         |         |    |   |    |   |     |    |         |         |    |   |    |
| <b>BASE STRUCTURE</b>              | STAINLESS STEEL.  |      |             |            |       |      |        |    |        |     |     |    |             |            |    |   |     |     |     |    |             |         |    |   |     |     |     |    |             |           |    |   |    |     |     |    |             |      |    |   |    |     |     |    |             |         |    |   |    |     |     |    |         |          |    |   |     |     |     |    |         |          |    |   |    |   |     |    |         |         |    |   |    |   |     |    |         |         |    |   |    |
| <b>BLADE STANDARD</b>              | HARD TOOTH, FOUR TEETH PER INCH, 5/8" (16 MM) WIDE, .020 (4 MM) THICK, 91" (2311 MM) LONG (TWO SUPPLIED WITH EACH SAW).   |      |             |            |       |      |        |    |        |     |     |    |             |            |    |   |     |     |     |    |             |         |    |   |     |     |     |    |             |           |    |   |    |     |     |    |             |      |    |   |    |     |     |    |             |         |    |   |    |     |     |    |         |          |    |   |     |     |     |    |         |          |    |   |    |   |     |    |         |         |    |   |    |   |     |    |         |         |    |   |    |
| <b>BLADE SPEED</b>                 | 3000 FEET (914 MM) PER MINUTE APPROXIMATE FOR BOTH 50 AND 60 CYCLE OPERATION.   |      |             |            |       |      |        |    |        |     |     |    |             |            |    |   |     |     |     |    |             |         |    |   |     |     |     |    |             |           |    |   |    |     |     |    |             |      |    |   |    |     |     |    |             |         |    |   |    |     |     |    |         |          |    |   |     |     |     |    |         |          |    |   |    |   |     |    |         |         |    |   |    |   |     |    |         |         |    |   |    |
| <b>BLADE GUIDE</b>                 | UPPER AND LOWER BLADE BACKUP GUIDE ASSEMBLIES, REMOVABLE WITH LONG LIFE CARBIDE BACKUP INSERTS.   |      |             |            |       |      |        |    |        |     |     |    |             |            |    |   |     |     |     |    |             |         |    |   |     |     |     |    |             |           |    |   |    |     |     |    |             |      |    |   |    |     |     |    |             |         |    |   |    |     |     |    |         |          |    |   |     |     |     |    |         |          |    |   |    |   |     |    |         |         |    |   |    |   |     |    |         |         |    |   |    |
| <b>BLADE TENSION</b>               | RATCHET ARM AND CAM AGAINST POUND TESTED SPRING AND TENSION SPRING GAUGE.   |      |             |            |       |      |        |    |        |     |     |    |             |            |    |   |     |     |     |    |             |         |    |   |     |     |     |    |             |           |    |   |    |     |     |    |             |      |    |   |    |     |     |    |             |         |    |   |    |     |     |    |         |          |    |   |     |     |     |    |         |          |    |   |    |   |     |    |         |         |    |   |    |   |     |    |         |         |    |   |    |
| <b>BLADE WHEELS</b>                | 12" (30.4 CM) CAST IRON, CHROME NICKEL PLATING, UPPER WHEEL ASSEMBLY LIFTS OUT.   |      |             |            |       |      |        |    |        |     |     |    |             |            |    |   |     |     |     |    |             |         |    |   |     |     |     |    |             |           |    |   |    |     |     |    |             |      |    |   |    |     |     |    |             |         |    |   |    |     |     |    |         |          |    |   |     |     |     |    |         |          |    |   |    |   |     |    |         |         |    |   |    |   |     |    |         |         |    |   |    |
| <b>BEARINGS</b>                    | HEAVY DUTY TAPERED ROLLER BEARINGS USED IN UPPER WHEEL AND LOWER BEARING HOUSINGS.  |      |             |            |       |      |        |    |        |     |     |    |             |            |    |   |     |     |     |    |             |         |    |   |     |     |     |    |             |           |    |   |    |     |     |    |             |      |    |   |    |     |     |    |             |         |    |   |    |     |     |    |         |          |    |   |     |     |     |    |         |          |    |   |    |   |     |    |         |         |    |   |    |   |     |    |         |         |    |   |    |
| <b>CATCH PAN</b>                   | POLY, EXTRA DEEP, ROUNDED CORNERS, PAN SEALED OFF FROM OTHER PARTS OF BASE, ACCESSIBLE THROUGH BASE HINGED DOOR.  |      |             |            |       |      |        |    |        |     |     |    |             |            |    |   |     |     |     |    |             |         |    |   |     |     |     |    |             |           |    |   |    |     |     |    |             |      |    |   |    |     |     |    |             |         |    |   |    |     |     |    |         |          |    |   |     |     |     |    |         |          |    |   |    |   |     |    |         |         |    |   |    |   |     |    |         |         |    |   |    |
| <b>CLEANING UNIT</b>               | STAINLESS STEEL BODY, LONG-LIFE CARBIDE GUIDES, STEEL SAW CLEANERS, REMOVABLE AS A UNIT FOR EASY CLEANING. (ASSEMBLY ALSO ADJUSTABLE AS A UNIT).  |      |             |            |       |      |        |    |        |     |     |    |             |            |    |   |     |     |     |    |             |         |    |   |     |     |     |    |             |           |    |   |    |     |     |    |             |      |    |   |    |     |     |    |             |         |    |   |    |     |     |    |         |          |    |   |     |     |     |    |         |          |    |   |    |   |     |    |         |         |    |   |    |   |     |    |         |         |    |   |    |
| <b>DRIVE SYSTEM</b>                | NON SLIP SILENT V-BELT, TENSION ADJUSTABLE.   |      |             |            |       |      |        |    |        |     |     |    |             |            |    |   |     |     |     |    |             |         |    |   |     |     |     |    |             |           |    |   |    |     |     |    |             |      |    |   |    |     |     |    |             |         |    |   |    |     |     |    |         |          |    |   |     |     |     |    |         |          |    |   |    |   |     |    |         |         |    |   |    |   |     |    |         |         |    |   |    |
| <b>LEGS</b>                        | STAINLESS STEEL LEG BOLT LEVELERS.  |      |             |            |       |      |        |    |        |     |     |    |             |            |    |   |     |     |     |    |             |         |    |   |     |     |     |    |             |           |    |   |    |     |     |    |             |      |    |   |    |     |     |    |             |         |    |   |    |     |     |    |         |          |    |   |     |     |     |    |         |          |    |   |    |   |     |    |         |         |    |   |    |   |     |    |         |         |    |   |    |
| <b>MEAT CARRIAGE</b>               | STAINLESS STEEL WITH NYLON GUIDES AND STEEL BEARINGS, REMOVABLE THUMB GUARD.  |      |             |            |       |      |        |    |        |     |     |    |             |            |    |   |     |     |     |    |             |         |    |   |     |     |     |    |             |           |    |   |    |     |     |    |             |      |    |   |    |     |     |    |             |         |    |   |    |     |     |    |         |          |    |   |     |     |     |    |         |          |    |   |    |   |     |    |         |         |    |   |    |   |     |    |         |         |    |   |    |
| <b>MEAT GAUGE PLATE</b>            | STAINLESS STEEL FACED, ADJUSTABLE FROM 1/16" (1.59 MM) TO 6-1/2" (165 MM) LOCKS IN POSITION, CAN BE THROWN OUT OF GEAR, ENTIRE ASSEMBLY REMOVABLE FOR CLEANING.   |      |             |            |       |      |        |    |        |     |     |    |             |            |    |   |     |     |     |    |             |         |    |   |     |     |     |    |             |           |    |   |    |     |     |    |             |      |    |   |    |     |     |    |             |         |    |   |    |     |     |    |         |          |    |   |     |     |     |    |         |          |    |   |    |   |     |    |         |         |    |   |    |   |     |    |         |         |    |   |    |
| <b>MOTOR COMPARTMENT</b>           | SEALED OFF FROM MEAT CONTACT AREAS, EASILY ACCESSIBLE THROUGH REMOVABLE PANEL DOOR.   |      |             |            |       |      |        |    |        |     |     |    |             |            |    |   |     |     |     |    |             |         |    |   |     |     |     |    |             |           |    |   |    |     |     |    |             |      |    |   |    |     |     |    |             |         |    |   |    |     |     |    |         |          |    |   |     |     |     |    |         |          |    |   |    |   |     |    |         |         |    |   |    |   |     |    |         |         |    |   |    |
| <b>PLATTER</b>                     | ALL STAINLESS STEEL, HELD IN PLACE WITH TWO PUSH PULL HOLD DOWN STAINLESS STEEL RODS.   |      |             |            |       |      |        |    |        |     |     |    |             |            |    |   |     |     |     |    |             |         |    |   |     |     |     |    |             |           |    |   |    |     |     |    |             |      |    |   |    |     |     |    |             |         |    |   |    |     |     |    |         |          |    |   |     |     |     |    |         |          |    |   |    |   |     |    |         |         |    |   |    |   |     |    |         |         |    |   |    |
| <b>SAFETY END CUT PUSHER PLATE</b> | STANDARD, REMOVABLE.  |      |             |            |       |      |        |    |        |     |     |    |             |            |    |   |     |     |     |    |             |         |    |   |     |     |     |    |             |           |    |   |    |     |     |    |             |      |    |   |    |     |     |    |             |         |    |   |    |     |     |    |         |          |    |   |     |     |     |    |         |          |    |   |    |   |     |    |         |         |    |   |    |   |     |    |         |         |    |   |    |
| <b>OPTIONS (EC)</b>                | POWER CORD AND PLUG, TOTALLY ENCLOSED MOTOR, WATERTIGHT MAGNETIC SWITCH WITH THERMAL OVERLOAD AND UNDER VOLTAGE PROTECTION, STAINLESS STEEL HEAD, GENERAL PURPOSE MANUAL PUSH BUTTON SWITCH, 2HP MOTOR.   |      |             |            |       |      |        |    |        |     |     |    |             |            |    |   |     |     |     |    |             |         |    |   |     |     |     |    |             |           |    |   |    |     |     |    |             |      |    |   |    |     |     |    |             |         |    |   |    |     |     |    |         |          |    |   |     |     |     |    |         |          |    |   |    |   |     |    |         |         |    |   |    |   |     |    |         |         |    |   |    |
| <b>OPTIONS (NC)</b>                | NONE, NO CHARGE.  |      |             |            |       |      |        |    |        |     |     |    |             |            |    |   |     |     |     |    |             |         |    |   |     |     |     |    |             |           |    |   |    |     |     |    |             |      |    |   |    |     |     |    |             |         |    |   |    |     |     |    |         |          |    |   |     |     |     |    |         |          |    |   |    |   |     |    |         |         |    |   |    |   |     |    |         |         |    |   |    |
| <b>CERTIFICATION</b>               | U.L., N.S.F., U.S.D.A., C.S.A., C.F.I.A., EC (WITH MODIFICATIONS).  |      |             |            |       |      |        |    |        |     |     |    |             |            |    |   |     |     |     |    |             |         |    |   |     |     |     |    |             |           |    |   |    |     |     |    |             |      |    |   |    |     |     |    |             |         |    |   |    |     |     |    |         |          |    |   |     |     |     |    |         |          |    |   |    |   |     |    |         |         |    |   |    |   |     |    |         |         |    |   |    |
| <b>WEIGHT</b>                      | UNCRATED: 308 LBS. (140 KG) APPROXIMATE.<br>CRATED: 336 LBS. (152 KG) APPROXIMATE.<br>STAINLESS STEEL HEAD, ADD 20 LBS. (9 KG).   |      |             |            |       |      |        |    |        |     |     |    |             |            |    |   |     |     |     |    |             |         |    |   |     |     |     |    |             |           |    |   |    |     |     |    |             |      |    |   |    |     |     |    |             |         |    |   |    |     |     |    |         |          |    |   |     |     |     |    |         |          |    |   |    |   |     |    |         |         |    |   |    |   |     |    |         |         |    |   |    |
| <b>DIMENSIONS</b>                  |   |      |             |            |       |      |        |    |        |     |     |    |             |            |    |   |     |     |     |    |             |         |    |   |     |     |     |    |             |           |    |   |    |     |     |    |             |      |    |   |    |     |     |    |             |         |    |   |    |     |     |    |         |          |    |   |     |     |     |    |         |          |    |   |    |   |     |    |         |         |    |   |    |   |     |    |         |         |    |   |    |
| <b>CRATED</b>                      | L=32" (81.3 CM), W=40" (101.6 CM), H=38-1/2" (97.8 CM).   |      |             |            |       |      |        |    |        |     |     |    |             |            |    |   |     |     |     |    |             |         |    |   |     |     |     |    |             |           |    |   |    |     |     |    |             |      |    |   |    |     |     |    |             |         |    |   |    |     |     |    |         |          |    |   |     |     |     |    |         |          |    |   |    |   |     |    |         |         |    |   |    |   |     |    |         |         |    |   |    |

## MODEL 22SS STANDARD RIGHT HAND FEED UNIT



# MPBS INDUSTRIES

Equipment for Industrial Food Processing & Packaging

2820 East Washington Blvd. Los Angeles CA 90023

323-268-8514 800-421-6265 323-268-6305 (fax) www.mpbs.com

ITEM NO.: LIT 22-008

FORM NO.: Md 22-008-6-06-53-ENG-MARK

All specifications contained herein are subject to change without notification.

Service is available from over 245 locations worldwide