



Contivac Vacuum Stuffers



Meat Ball Former



Tiltable Hopper



Casing Applier



Casing Grip Device



Twister Linker



Patty Former



Vane Pump System



Microprocessor



Multiple Extrusion



Cart Lift for 400 lb Buggy



Waterwheel Design



Portioner with Cut Off

We provide technical support and service for all machines that we sell.

MPBS INDUSTRIES

Equipment for Industrial Food Processing & Packaging

2820 East Washington Blvd Los Angeles CA 90023
323-268-8514 800-421-6265 323-268-6305 (fax) www.mpbs.com



Since 1938

Contivac 60, 80, 100, 200, 400, 400S Vacuum Stuffers

Technical Specifications

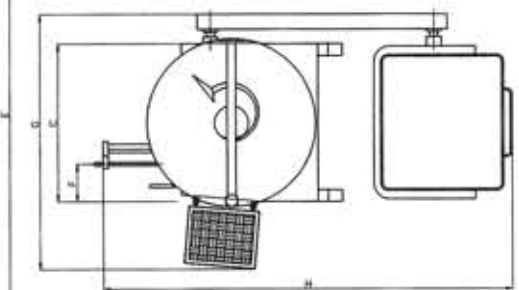
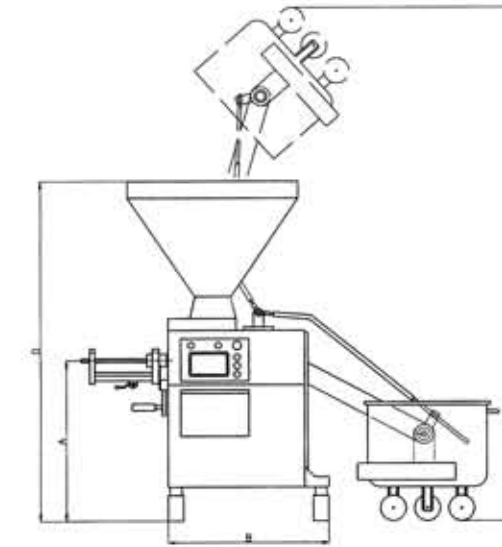


Features

- Stainless steel construction
- Built-in vacuum system with adjustable vacuum pressure
- Advance clipping impulse
- Preset portion and counter
- Microprocessor
 - Selectable language for data input
 - Portioning weight from 0 – 30 grams
 - Weight adjustments in increments of 0.1 grams
 - Adjustable emulsion feature suck back
 - 100 program capacity with LED Display
 - Diagnosis function for quick location of machine problems
 - Positioning control
- 12 Vane rotor (8 for Contivac 60 & 80)
- Vane-Type pump principle
 - Accurate portioning
 - Air free product
 - No back-flow and smearing on sensitive sausage types
 - Clear product definition
- Stainless steel pump system
- Servo drive controlled motor
- Electrical: 220/380/440 V / 60 Hz / 3 Ø
- Options:
 - Tilttable hopper
 - Twister linker with casing holder
 - Casing grip device
 - Casing applier
 - Cart lift for 400 lb buggies (Contivac 80, 100, 200, 400, 400S)
 - Automatic lubricator (Contivac 200, 400, 400S)
 - Digital Portion Attachments
 - 2 – 6 head meat ball former
 - Belt width 400 – 600 mm
 - Up to 16 heads upon request
 - 2 – 12 multiple head extrusion
 - Belt width 400 – 600 – 1000 mm
 - Premium patty former
 - Patty stacker with paper
 - Belt width 400 – 600 mm
 - Vacuum form attachment

Model	60	80	100	200	400	400S
Filling capacity	3000 kg/h	3600 kg/h	4500 kg/h	5800 kg/h	10,000 kg/h	10,000 kg/h
Filling pressure till bar	30 kg	30 kg	40 kg	50 kg	50 kg	50 kg
Hopper capacity	90 liters	150 liters	260 liters	260 liters	350 liters	350 liters
Connected load	3.15 kW	7.5 kW	7.5 kW	12 kW	18 kW	18 kW
Net weight	300	300	490	640	750	750
Net weight with hoisting device	N/A	480	630	780	890	890
Filling speed adjustable infinitely						
Portions per minute maximum						
30 g	400	400	500	500	500	500
70 g	340	340	440	440	440	440
100 g	260	260	350	350	350	350
Portion weight	0 – 30 g	0 – 30 g	0 – 30 g	0 – 30 g	0 – 30 g	0 – 30 g
O/A dimensions (mm)						
A	1070	1070	1070	1070	1070	1070
B	450	450	600	750	800	800
C	550	550	740	840	890	890
D	1650	1650	1950	1950	2000	2000
E	N/A	3000	3000	3000	3100	3100
F	155	155	220	220	220	220
G	760	760	1620	1620	1670	1670
H	1000	1000	2260	2260	2300	2300

• All specifications are subject to change without notice.



Preset Portion and Counter



Conveyor



Multiple Extrusions



Meat Ball Former



Patty Former with Paper



Patty Former

Contivac by: MPBS Industries

Distributed by: