

DELI-SLICERS



GS-12E

GS-12E Light-Duty Deli Slicer (Manual)

- 1/3 HP Knife Motor
- Ergonomic style chute handle
- Top mount precision wheel knife sharpener
- Slice thickness adjustment
- Hard chromed, hollow ground knife
- Anodized aluminum construction
- Safety knife cover
- Metal plate protects underside of slicer
- Fan cooled, permanently lubricated ball bearing motor
- Easy to clean surfaces
- Easy to remove slice deflector



GS-12M

GS-12M Heavy-Duty Deli Slicer (Manual)

- 1/2 HP knife motor
- 1/8 HP chute motor
- Gear driven knife motor
- Self lubricated worm gears
- Stainless steel receiving plate and contact area
- Oil lubrication system on top and bottom slide shaft
- Ergonomic style chute handle
- Heavy stainless steel end weight
- Top mount precision wheel knife sharpener
- Safe knife cleaning
- Slice thickness adjustment



GS-12A

GS-12A Heavy-Duty Deli Slicer (Automatic)

- 1/2 HP knife motor
- 1/8 HP chute motor
- Gear driven knife motor
- Self lubricated worm gears
- Electronic control panel
- 9-Speed chute drive, 20 to 60 strokes/minute
- Self-Diagnosis function
- Stainless steel receiving plate and contact area
- Oil lubrication system on top and bottom slide shaft
- Ergonomic style chute handle
- Heavy stainless steel end weight
- Top mount precision wheel knife sharpener
- Safe knife cleaning
- Slice thickness adjustment

We provide
technical support and
service for all machines
that we sell.

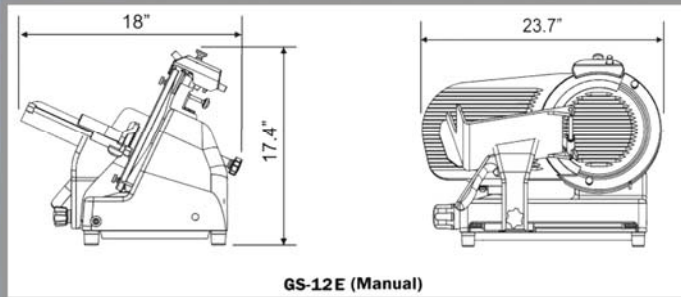
MPBS INDUSTRIES
Equipment for Industrial Food Processing & Packaging

323-268-8514 800-421-6265 323-268-6305 (fax)
www.mpbs.com



Since 1938

DELI-SLICERS



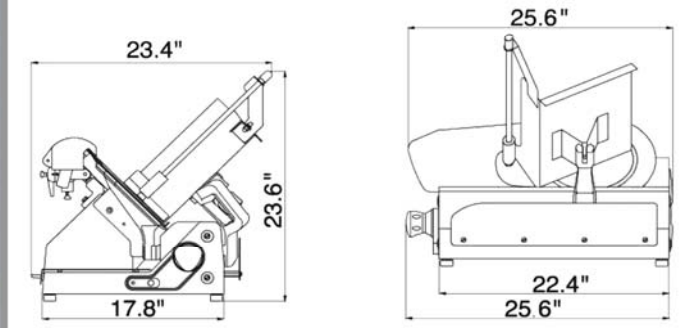
GS-12E (Manual)



Removable Knife Sharpener



Control Panel



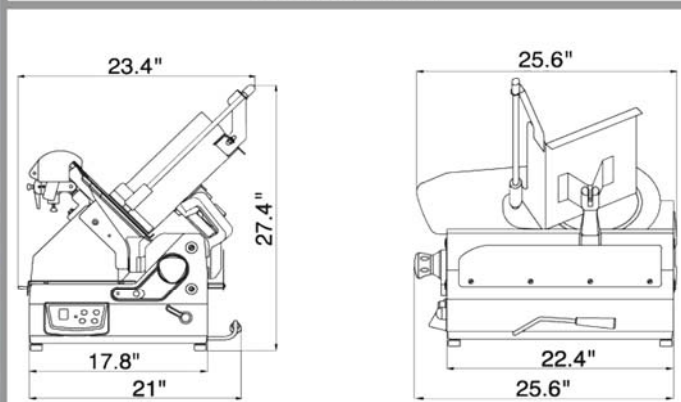
GS-12M VIEW (Manual)



Removable Knife Sharpener



Control Panel



GS-12A VIEW (Automatic)



Knife Sharpener



Control Panel

GERMAN KNIFE DELI-SLICERS TECHNICAL SPECIFICATIONS

| Model | GS-12E | GS-12M | GS-12A |
|-------------------------|-----------------------------|-----------------------------|-----------------------------|
| O/A dims (W x D x H) | (23.7" x 18" x 17.4") | (25.6" x 23.4" x 23.6") | (25.6" x 23.4" x 27.4") |
| Cut thickness (Maximum) | 9/16" thick | Tissue thin~1" thick | Tissue thin~1" thick |
| Knife diameter | 12" | 12" | 12" |
| Knife motor | 1/3 HP, 115 V / 60 Hz / 1 Ø | 1/2 HP, 115 V / 60 Hz / 1 Ø | 1/2 HP, 115 V / 60 Hz / 1 Ø |
| Chute motor | N/A | N/A | 1/8 HP, 90 W, DC, AC 115 V |
| Net weight | 58 lb | 130 lb | 173 lb |

* All specifications are subject to change without notice

German Knife

Distributed by: MPBS Industries