

GERMAN KNIFE

GG-22 MEAT GRINDER



Stainless steel construction • Heavy-duty • 1.5 HP motor with gear drive
Removable bowl assembly and feed pan for easy cleaning
Ergonomic style hand wheel ring • Sealed gear box
16 lb per minute capacity • Feed pan safety shut-off

We provide
technical support and
service for all machines
that we sell.

MPBS INDUSTRIES
Equipment for Industrial Food Processing & Packaging

323-268-8514 800-421-6265 323-268-6305 (fax)
www.mpbs.com

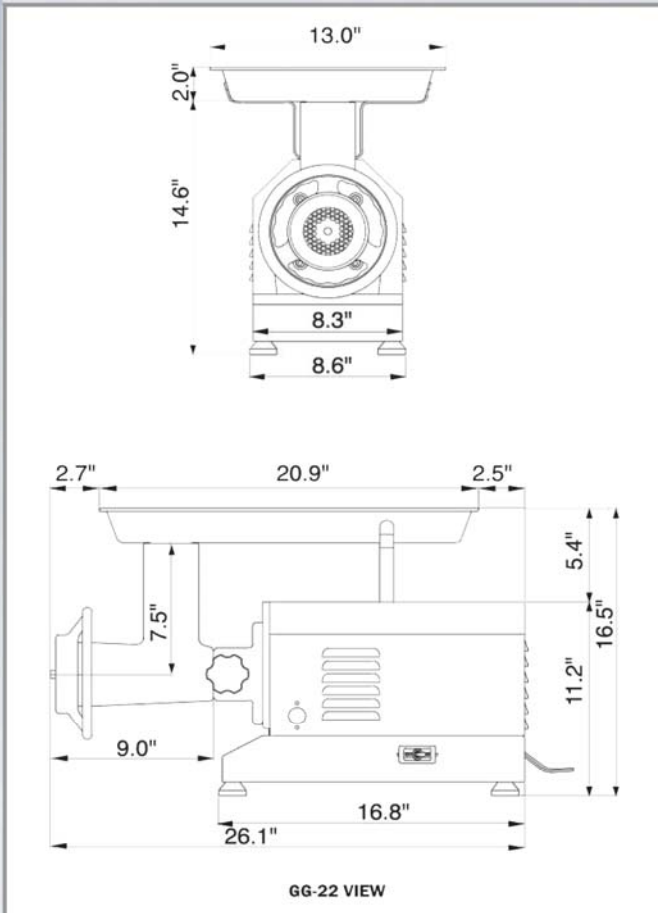


Since 1938

GG-22 MEAT GRINDER Technical Specifications

Features:

- Motor: 1.5 HP with gear drive
- Voltage: 110 V / 60 Hz / 1 Ø
- Continuous chopping action
- Easy assembly
- Grinder won't operate when feed pan is remove
- Power switch
- Inter-lock switch
- O/A dims.: 26" W x 13" D x 16.5" H
- Stainless steel feed pan and trim plate
- Standard equip:
 - Stainless steel hopper, auger, head, ring
 - Feed stomper
 - 1 Knife (3" diameter)
 - 1 Plate (6 mm diameter holes)
- Shipping weight: 125 lb



All specifications are subject to change without notice.



German Knife

Distributed by: MPBS Industries