

MixMaster

MIXER-GRINDER



MG 400, 600, 800 MIXER/GRINDER

- Air operated lid, just flip the switch and the lid will open or close ♦ All Stainless Steel Construction
- Stainless Steel Head, Auger and Ring ♦ Belt Drive on grinder for quiet and maintenance free operation
- Safety Switch on Lid ♦ Control panel can be mounted in front or on the side
- Automatic product feed for grinder ♦ Easy to remove paddles, powered by 5 HP motor
- Adjustable machine height ♦ Has a split grated lid for low ceiling heights
- The mixing paddles overlap for fast and better mix in forward and reverse mixing
- No. 56 or 66 grinding head 20 HP Motor ♦ Includes splash guard

We provide
technical support and
service for all machines
that we sell

MPBS INDUSTRIES

Equipment for Industrial Food Processing & Packaging

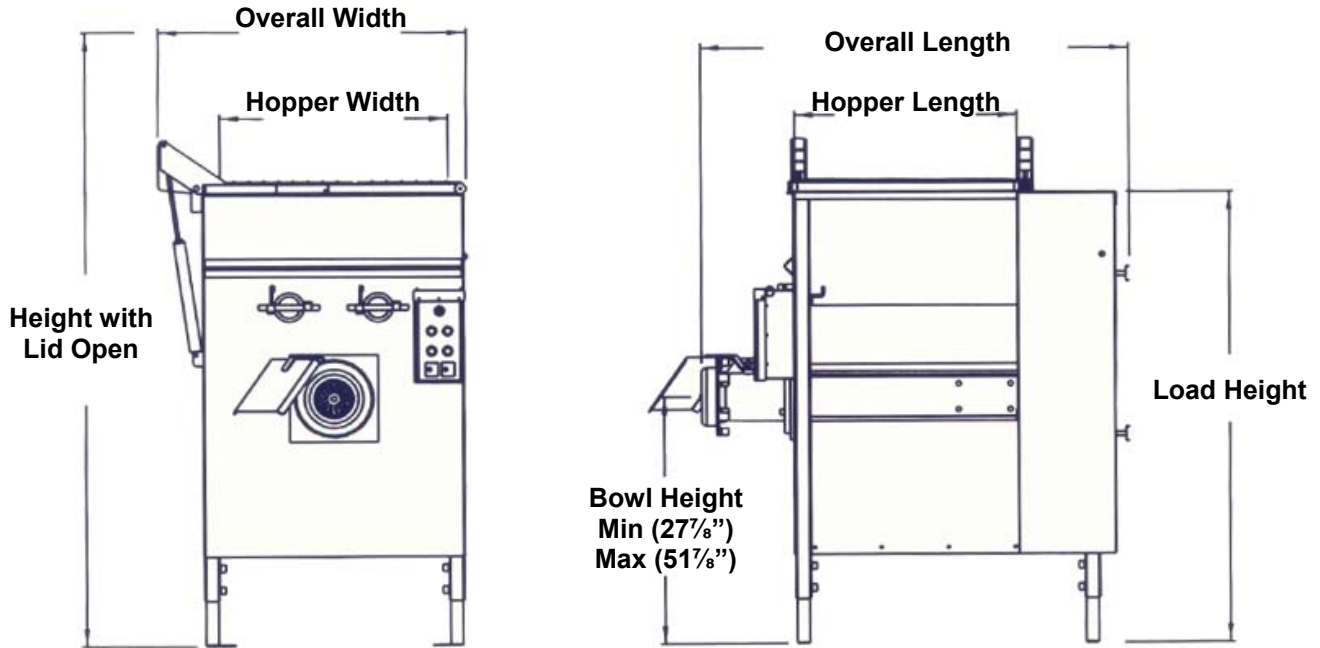
2820 East Washington Blvd. Los Angeles CA 90023
323-268-8514 ♦ 323-268-6305 (fax) ♦ www.mpbs.com
Hours: 8:00 - 4:30 PM
Se Habla Espanol



Since 1938

MixMaster

MG 400, 600, 800 (56/66) Mixer Grinder



Technical Specifications

Electrical: Grinder: 230 V / 60 Hz / 3 Ø; 52 amps; 1175 RPM; 20 HP
Mixer: 230 V / 60 Hz / 3 Ø; 13.4 amps; 1725 RPM; 5 HP

Optional: Grinder: 208/460 V / 60 Hz / 3 Ø; 53.3/26 amps; 1175 RPM; 20 HP
Mixer: 208/460 V / 60 Hz / 3 Ø; 14.7/6.7 amps; 1725 RPM; 5 HP

Hopper: Heavy gauge stainless steel construction, removable paddles, grated hopper cover

Model	MG 400/56	MG 400/66	MG 600/56	MG 600/66	MG 800/56	MG 800/66
O/A Height w/ Lid Open	Min 78" Max 102"	Min 78" Max 102"	Min 79 5/8" Max 103 5/8"	Min 79 5/8" Max 103 5/8"	Min 94" Max 108"	Min 94" Max 108"
O/A Width	41 1/2"	41 1/2"	45 1/2"	45 1/2"	49"	49"
Hopper Width	30 3/4"	30 3/4"	35 3/4"	35 3/4"	36"	36"
Hopper Length	30"	30"	32 1/2"	32 1/2"	37"	37"
O/A Length	58"	58"	59 3/4"	59 3/4"	64 3/4"	64 3/4"
*Load Height	Min 56" Max 80"	Min 56" Max 80"	Min 58 5/8" Max 82 5/8"	Min 58 5/8" Max 82 5/8"	Min 60" Max 84"	Min 60" Max 84"
Capacity	400 lb	400 lb	600 lb	600 lb	800 lb	800 lb
Weight	1800 lb	1800 lb	1900 lb	1900 lb	2000 lb	2000 lb
**Output	200-400 lb / minute	400-500 lb / minute	200-400 lb / minute	400-500 lb / minute	200-400 lb / minute	400-500 lb / minute

* Add 1 5/8" to the height dimensions for #66 Bowl

** Depends on plate hole size

*** All specifications are subject to change without notice

MixMaster by: MPBS Industries

Distributed by: