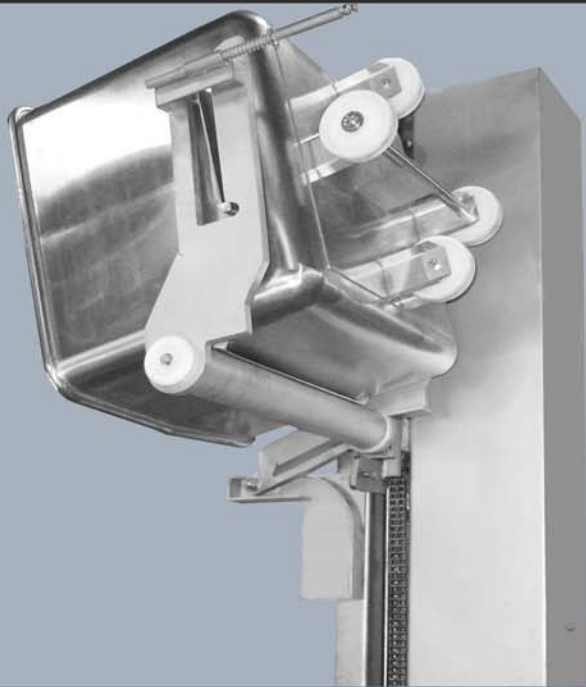


# MPBS Stationary Cart Lift Dumper

## MPBS CL-1S



### OPTIONS



Portable Column  
Dumper



Barrel Carriage  
Dumper



Tote Dumper



We provide  
technical support and  
service for all machines  
that we sell

**MPBS INDUSTRIES**

Equipment for Industrial Food Processing & Packaging

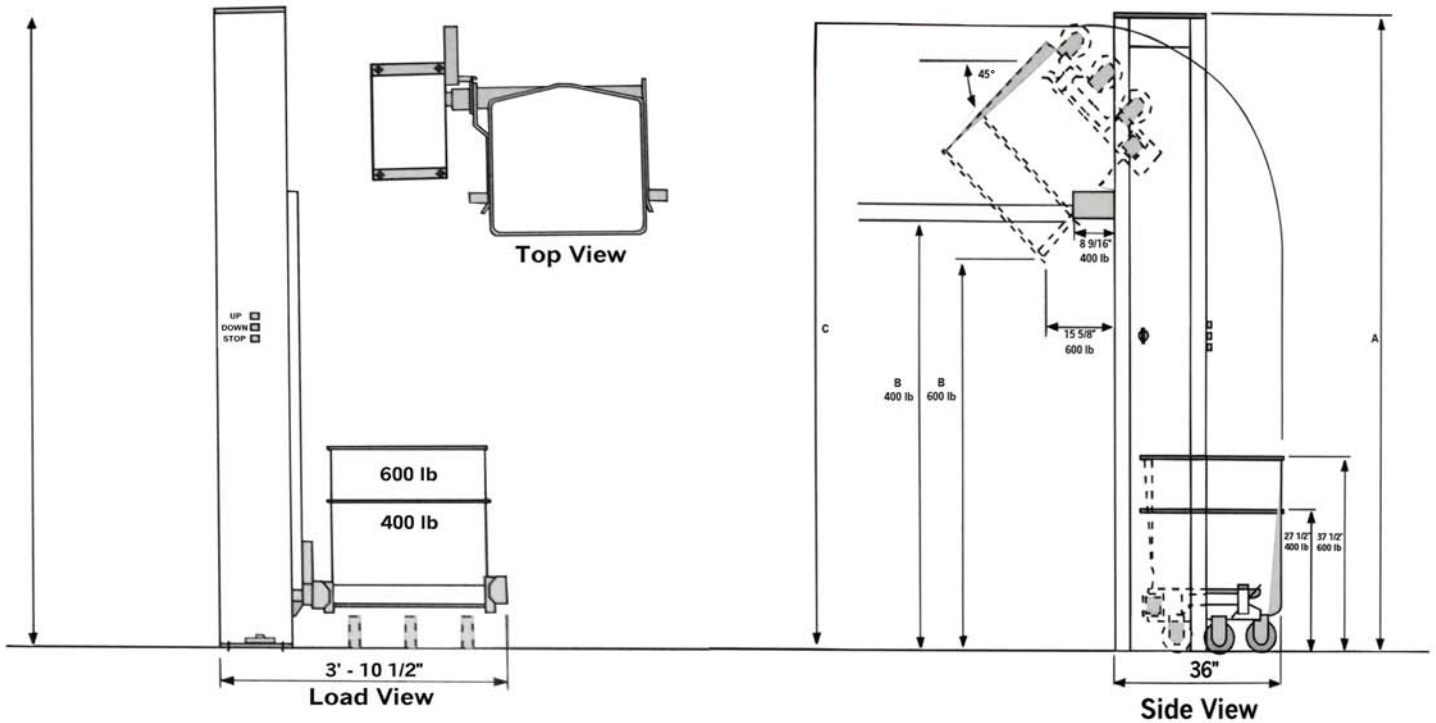
2820 East Washington Blvd. Los Angeles CA 90023  
323-268-8514 ♦ 323-268-6305 (fax) ♦ www.mpbs.com  
Hours: 8:00 - 4:30 PM  
Se Habla Espanol



Since 1938

# MPBS Stationary Cart Lift Dumper

## MPBS CL-1S



### Standard Features:

- 800 lb capacity
- Discharge Height up to 90"
- All stainless steel exterior
- Sanitary design hinged door
- Easy access to all components
- Positive chain lift and return
- Chain lift with direct drive motor / reducer
- 1½ HP gear motor with brake
- Primary Voltage: 208-230/460 Volts
- Control Voltage: 120 Volts
- Floor level loading
- Dumps 400 lb and 600 lb carts
- Safety drop lock

Cart Capacity	A	B	C
400 lb	8' - 0"	66"	9' - 0"
	9' - 0"	78"	10' - 0"
	10' - 0"	90"	11' - 0"
600 lb	8' - 0"	60"	9' - 0"
	9' - 0"	72"	10' - 0"
	10' - 0"	84"	11' - 0"

### Options:

- Special carriages for barrels, drums, carts, boxes, totes, plastic containers or combination
- Portable base
- 1000 lb capacity
- Special discharge heights to 20'
- Barrel staging conveyor
- Water proof washdown electrical control box
- Powered traveling base for portable unit
- Air operated unit
- Screw drive lift

\* All specifications are subject to change without notice

### MPBS Stationary Cart Lift Dumper

Distributed by: