

# *MPBS Hamburger and Meatball Former*



*HF-100, HF-120, HF-130*



*MBF-5, MBF-10*



We provide technical support and service for all machines that we sell.



**MPBS INDUSTRIES**

Equipment for Commercial Food Processing & Packaging

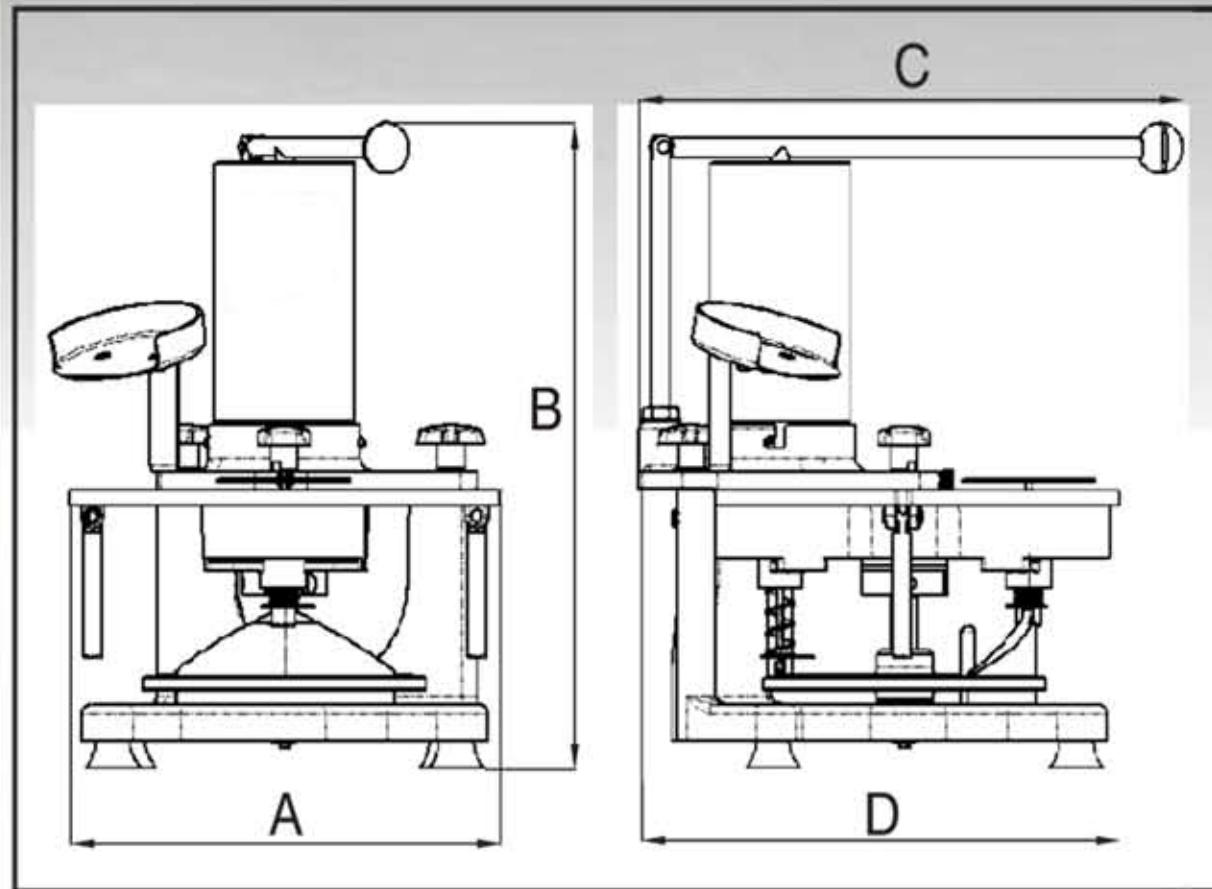
2820 East Washington Blvd Los Angeles CA 90023

323-268-8514 800-421-6265 323-268-6305 (fax)



Since 1938

## TECHNICAL SPECIFICATIONS



### FEATURES

- HF: Equipped with hamburger plate
- MBF: Equipped with 5 meatballs or 10 croquettes plate
- Almost 5 lb meat cylinder capacity
- All plates are interchangeable between models
- Manual operations
- Fill lever position is in front of the operator, which allows easy application of fill pressure
- The plate always rotates in the clockwise direction
- Greatly reduces labor time
- It bridges the gap between manual and automatic production
- Easily stripped without tools for cleaning
- Easily adjustable thickness of all products (hamburger, meatball, and croquette) up to 40 mm
- It features a paper dispenser located above the mould plate
- Construction: in anodized corrosion proof aluminum

Model	A	B	C	D	L*	kg*
HF-100 / HF-120 / HF-130	380 mm	515 mm	490 mm	425 mm	2.5	+/- 2.1
MBF-5 / MBF-10	380 mm	515 mm	490 mm	425 mm	2.5	+/- 2.1

L\* / kg\*: Cylinder capacity  
All specifications are subject to change without notice.

MODEL	MBF-5	MBF-10	HF-100	HF-120	HF-130
HAMBURGER	-	-	1 x Ø 100 mm	1 x Ø 120 mm	1 x Ø 130 mm
MEAT BALL	5 x Ø 38 mm	10 x Ø 25 mm	-	-	-
YIELD/HOUR	+/- 300 n°	+/- 300 n°	+/- 300 n°	+/- 1200 n°	+/- 1200 n°

