



MEAT BANDSAW



SAFE OPERATION



Interlock safety switches on doors



Thermomagnetic switches



Master switch



Motor brake (optional)

PERFORMANCE



Tensioning system easily adjustable



Consistency in cuts



Stainless steel rollers allows "Easy slide" moving table

ST-305-SH

We provide technical support and service for all machines that we sell

MPBS INDUSTRIES

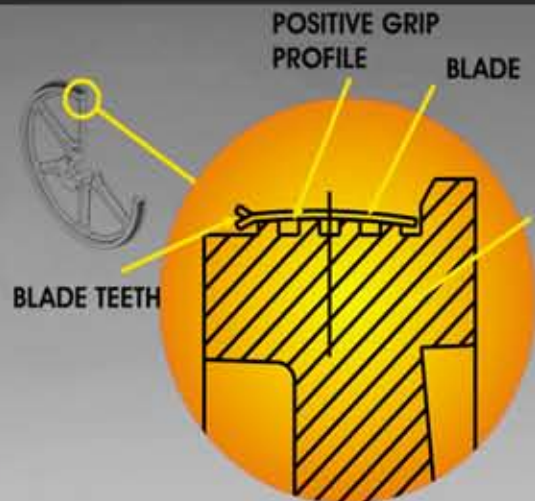
Equipment for Commercial Food Processing & Packaging

323-268-8514 323-268-6305 (fax) www.mpbs.com



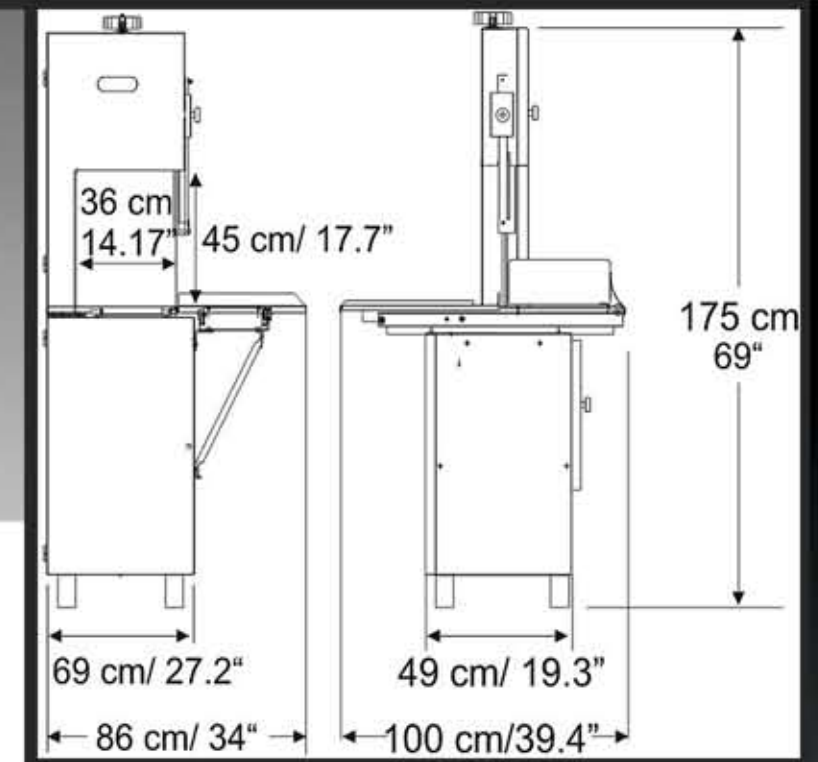
Since 1938

TECHNICAL SPECIFICATIONS



PRECISION BALANCED CAST IRON SAW WHEELS

WHEEL The balanced wheels provide a vibration free operation, and a positive grip profile on the border of the wheels assures a steady blade drive for a perfect cut, while protecting the blade teeth.



FEATURES

- Low waste and high production with fine cuts.
- High-speed band saw is hose down washable
- Includes an electronically controlled user security system
- Thermomagnetic switches to protect against overloads
- Motor brake (optional) stops blade rotation within 3 seconds
- Sliding table features thumb protector for safe operation
- Main components are easily disassembled without tools
- Hose down washable to save time during cleaning operations
- Removable wheel and blade cleaners system
- Interlocking safety switches on doors for safety
- Tensioning system easily adjustable
- Scaled thickness gauge slides to easily adjust for thin/thick cuts
- "Easy slide" moving table system features stainless steel rollers
- Deep tray (drawer type) to accumulate waste

Specifications:

	ST-305-SH
Saw blade	305 cm/120"
Blade speed	32 m/seg
Throat width	36 cm/14.17"
Throat height	45 cm/17.71"
Thermomagnetic switches	Yes
Waste tray	Yes
Movable blade guard	Yes
Sealed off bearings	Yes
*Motor	3 HP / 2.23 Kw
Net weight	214 kg / 471 lb
Shipping weight	235 kg / 518 lb

*Motor available: 3PH, 220 V/ 50 Hz and 380 V/50 Hz (optional)

All specifications are subject to change without notice.

ST-305-SH Meat Bandsaw



Wash down



Easy disassembly



Removable wheel and blade cleaner system



Deep tray



Safety & Sanitation
 Conforms
 UL std 763



Sanitation
 Conforms
 NSF-8



CANADA
 Conforms
 CAN/CSA STD
 C22.2