



VALUE-PLUS

The Right Equipment at the Right Price!

Chopping Cutting Filling Grinding Mixing Packaging Slicing Stuffing

MG-22, MG-32, MG-52 MEAT GRINDERS



MG-22



MG-32



MG-52

We Provide
technical support and
service for all machines
that we sell.



VALUE-PLUS EQUIPMENT

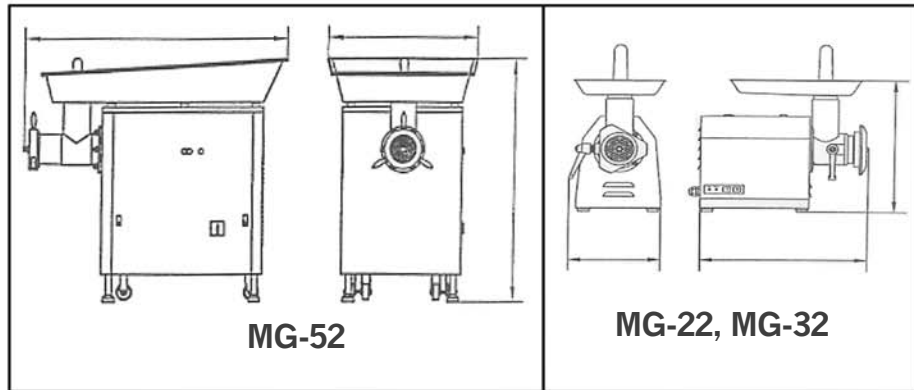
323-268-8514 800-421-6265
www.valueplusequipment.com



VALUE-PLUS

Chopping Cutting Filling Grinding Mixing Packaging Slicing Stuffing

MG-22, MG-32, MG-52 MEAT GRINDERS



Value-Plus Equipment Meat Grinders Technical Data			
Model	MG-22	MG-32	MG-52
Production Capacity/Min	8.5 lb	12 lb	42 lb
Voltage	110 V / 60 Hz / 1 Ø	220 V / 60 Hz / 3 Ø	220 V / 60 Hz / 3 Ø
Power	.75 kW, 1 HP	1.3 kW, 2 HP	3.73 kW, 5 HP
O/A Dimensions	16" L x 10" W x 18" H	29" L x 14" W x 21" H	40" L x 22" W x 43" H
Construction	Stainless Steel	Stainless Steel	Stainless Steel
Head	22	32	52
Plate Size	3"	4"	5"
Net Weight	35 kg / 77 lb	90 kg / 198 lb	107 kg / 236 lb

* All specifications are subject to change without notice.



Features:

- Stainless steel frame, pan, & cutting assembly (cylinder, auger, ring)
- Large throat for fast feeding
- Push button control
- 2 casters for portability on MG-52 only
- Options:
 - 22 - 3" - 3 mm (1/8), 5 mm (3/16), 10 mm (3/8)
 - 32 - 4" - 3 mm (1/8), 5 mm (3/16), 10 mm (3/8)
 - 52 - 5" - 3 mm (1/8), 5 mm (3/16), 10 mm (3/8)
 - Other plates available upon request

Value-Plus Equipment

Distributed by: MPBS Industries