

VARIVAC

VV-1000, VV-1500, VV-2000, VV-3000, VV-4000 MARINATING VACUUM TUMBLERS

- ◆ Heavy-duty stainless steel construction
- ◆ Work time programmable rest
- ◆ IP56 Computerized water resistant control panel (12 programs with oil indicator)
- ◆ Busch® vacuum pump with liquid trap
- ◆ Variable speed
- ◆ Continuous vacuum
- ◆ Reverse discharge function for easy product unloading
- ◆ Great for:
 - Marinating product
 - Quality improvement
 - Increasing productivity
 - Increased yield for higher profit margins
- Options:
 - Touch screen PLC control board
 - Pump size
 - 400 lb stainless steel buggy
 - Front load cart lift
 - Suction tank
 - Weight indicator with load cells (4)



We provide
technical support and
service for all machines
that we sell

MPBS INDUSTRIES

Equipment for Industrial Food Processing & Packaging

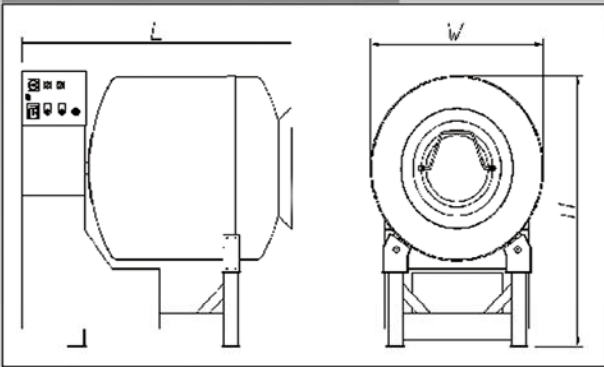
2820 East Washington Blvd. Los Angeles CA 90023
323-268-8514 ♦ 323-268-6305 (fax) ♦ www.mpbs.com



Since 1938

VARIIVAC

VV-1000, VV-1500, VV-2000, VV-3000, VV-4000
Marinating Vacuum Tumbler



TECHNICAL SPECIFICATIONS

MODEL	CAPACITY	DIMENSIONS	VACUUM PUMP CAPACITY	ELECTRICAL	POWER	MACHINE WEIGHT
VT-1000	1000 lb (454 kg)	43" W x 76" L x 67" H (1116 x 1926 x 1708 mm)	63 m ³ /h (3 HP)	230 V / 60 Hz / 3 Ø	2.4 kW 20 amps	1430 lb (650 kg)
VT-1500	1500 lb (680 kg)	50" W x 80" L x 70" H (1274 x 2031 x 1787 mm)	63 m ³ /h (3 HP)	230 V / 60 Hz / 3 Ø	2.4 kW 20 amps	1760 lb (800 kg)
VT-2000	2000 lb (900 kg)	54" W x 89" L x 78" H (1374 x 2264 x 1987 mm)	100 m ³ /h (5 HP)	230 V / 60 Hz / 3 Ø	4.0 kW 30 amps	2750 lb (1250 kg)
VT-3000	3000 lb (1360 kg)	62" W x 97" L x 82" H (1568 x 2473 x 2084 mm)	202 m ³ /h (8 HP)	230 V / 60 Hz / 3 Ø	7.5 kW 30 amps	3520 lb (1600 kg)
VT-4000	4000 lb (1814 kg)	62" W x 123" L x 82" H (1568 x 3131 x 2084 mm)	202 m ³ /h (8 HP)	230 V / 60 Hz / 3 Ø	7.5 kW 33 amps	3960 lb (1800 kg)

All specifications are subject to change without notice.

MPBS Industries

Distributed by: